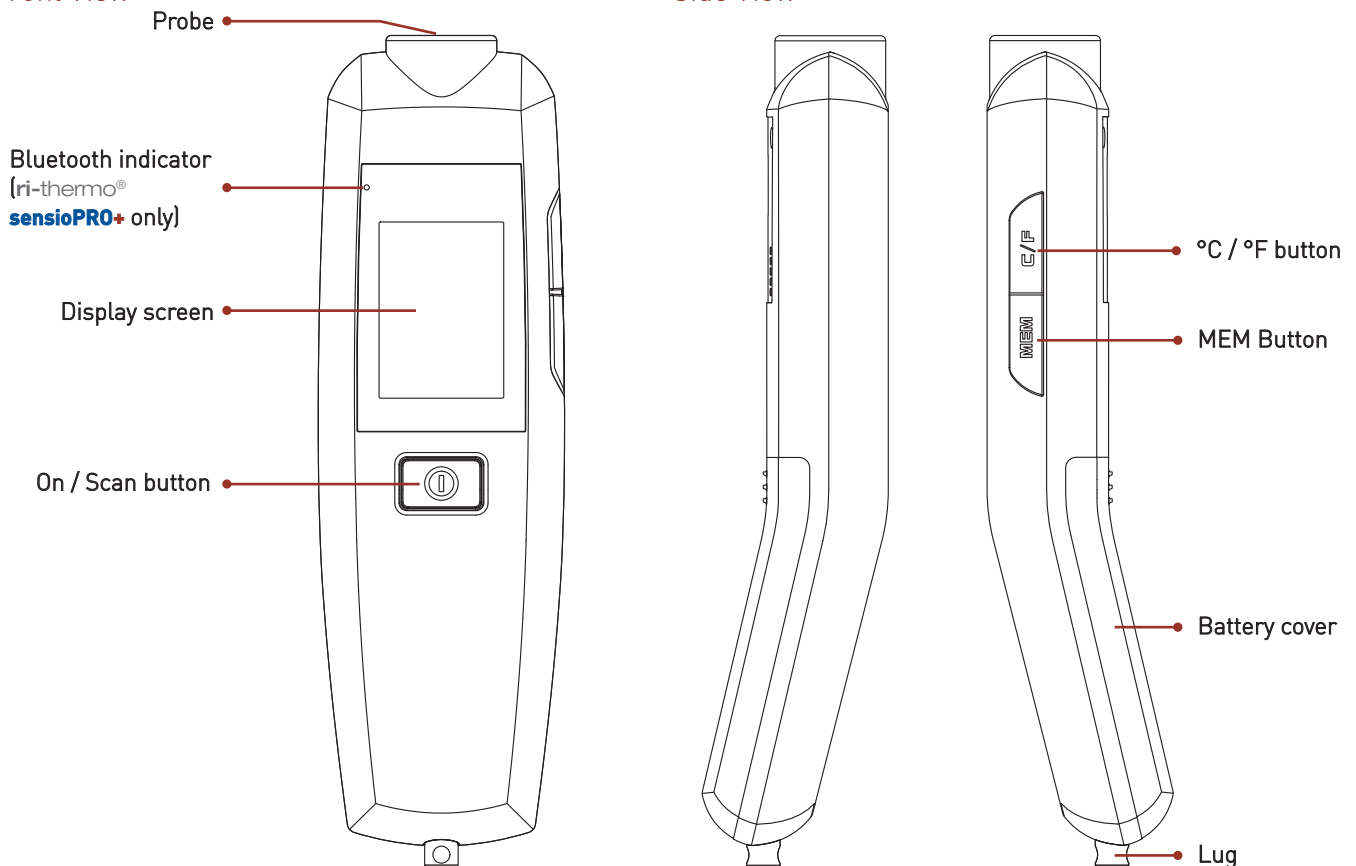


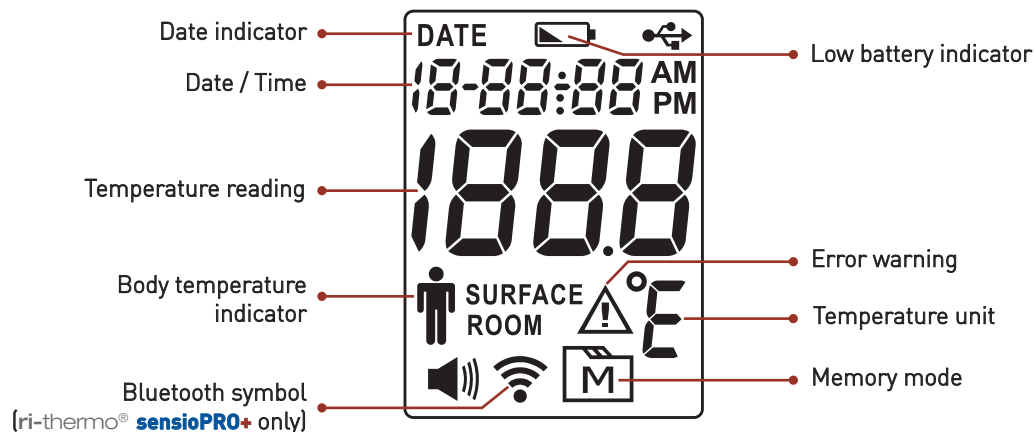
APPEARANCE

Front View

Side View



DISPLAY SCREEN

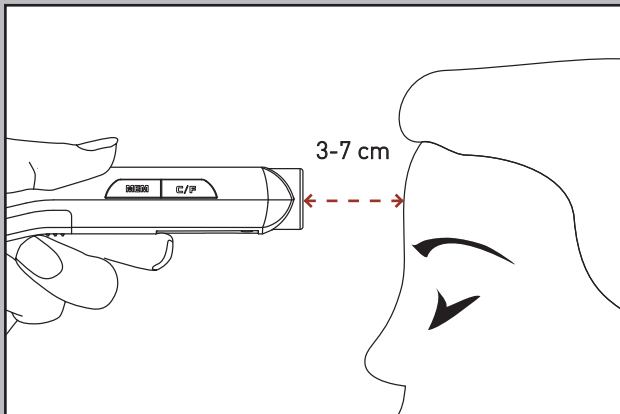


ORDERING INFORMATION

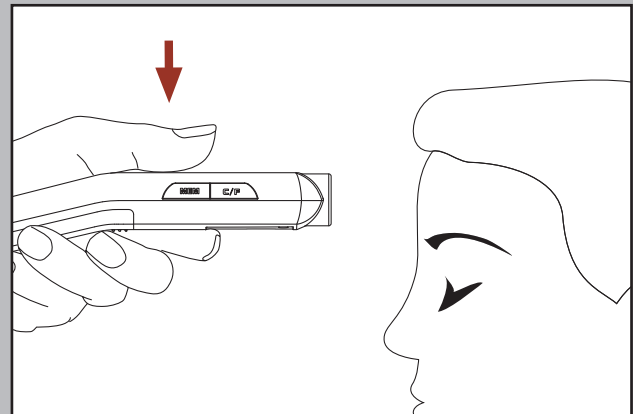
No. 1840-BT	Non-contact thermometer ri-thermo® sensioPRO+ Bluetooth
No. 1840	Non-contact thermometer ri-thermo® sensioPRO
No. 12911	Anti-theft cable, length 50 cm, black, keyring at both end for ri-thermo® sensioPRO
No. 12953	Calibration kit for ri-thermo® sensioPRO and tymPRO
No. 13347	Bluetooth connectivity: Bluetooth USB-Dongle for RVS-100


USING THE DEVICE

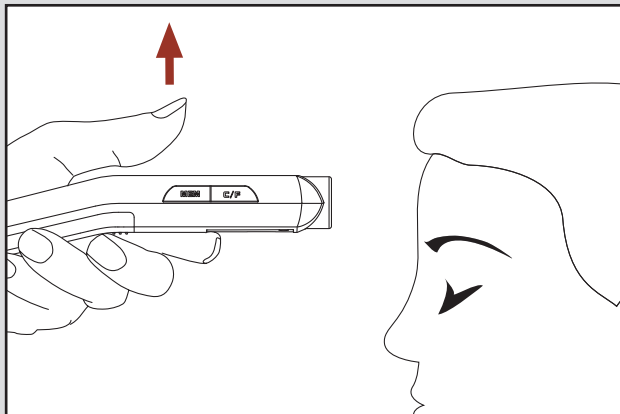
Measuring Temperature



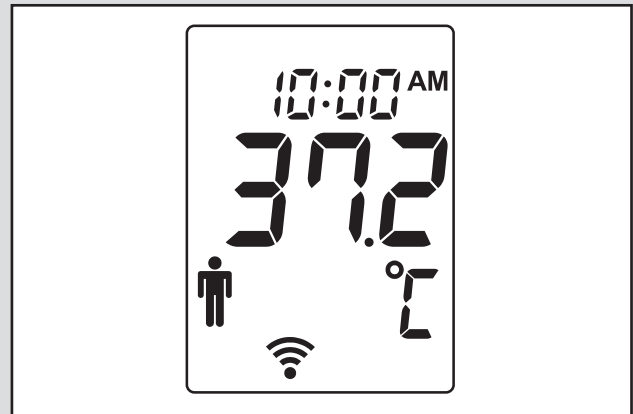
STEP 1. Move the probe close to the forehead. Make sure the probe is flat and close to the forehead, not at an angle. Perform a forehead measurement with a distance within 3-7 cm.



STEP 2. Press and hold the .

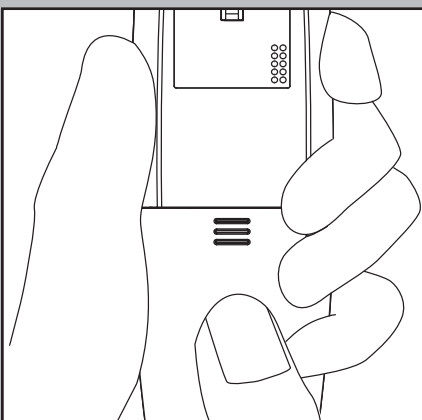


STEP 3. Release the button.

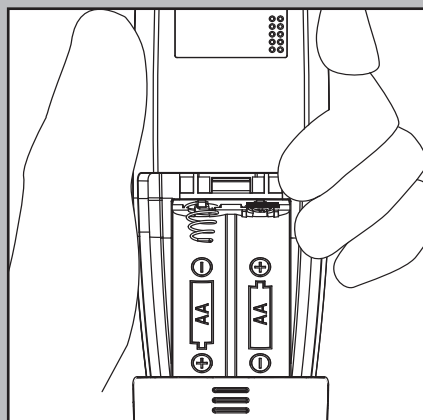


STEP 4. Read the result. The temperature reading will be displayed with a short beep sound.

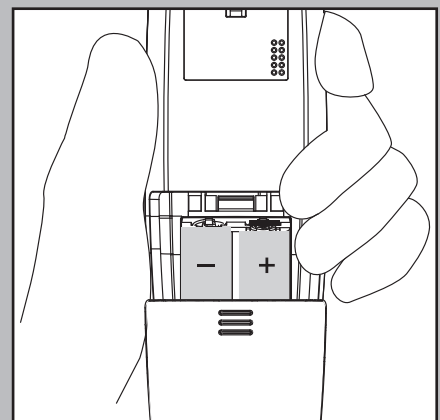
Replacing the Battery



STEP 1. Remove the battery cover as the arrow direction accordingly.



STEP 2. Remove the old batteries and replace with two 1.5V AA size alkaline batteries.



STEP 3. Close the battery cover. If the batteries are inserted correctly, you will hear a "beep" afterwards.

Please visit riester.de for more information



Refer to instructions for use for full functional usage

Rudolf Riester GmbH P.O. Box 35 | Bruckstraße 31 | 72417 Jungingen | Germany
Tel.: (+49) 7477-9270-0 | Fax.: (+49) 7477-9270-70 | info@riester.de | www.riester.de

 **Riester**